



- Easy to install
- Cost-efficient
- Suitable for any installation position
- No response delay
- Maintenance-free
- Reliable
- High switching capacity
- Ex approval for Zone 1 according to ATEX (optional)



optional



Float Switch Type TA

Float Switch Type TA

The float switch is made for liquid level monitoring and is appropriate for direct pump control in all industrial applications.

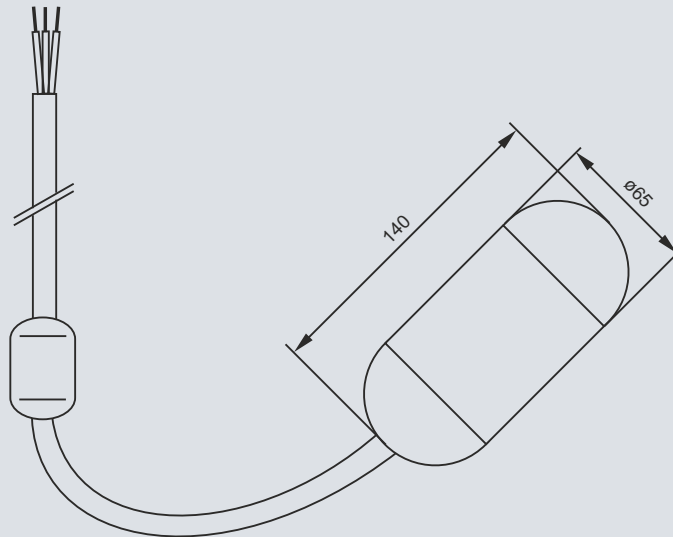
The switch can be used e. g. as minimum, maximum, filling, emptying contact as well as for protection against overflow or idle running. It can be installed directly in tanks using a screw joint or can be inserted into open tanks from the top. If inserted from the top, the switching point is determined by using a ballast weight.

The float switch enclosure is made of robust plastic material. The micro switch is encapsulated completely water-tight. Moreover the unit consists of several air chambers.

Therefore it is almost unsinkable even if damaged mechanically.

Specifications

Dimensions

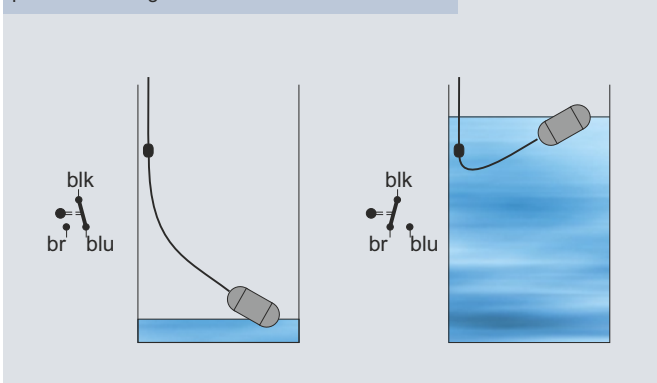


Dimensions in mm

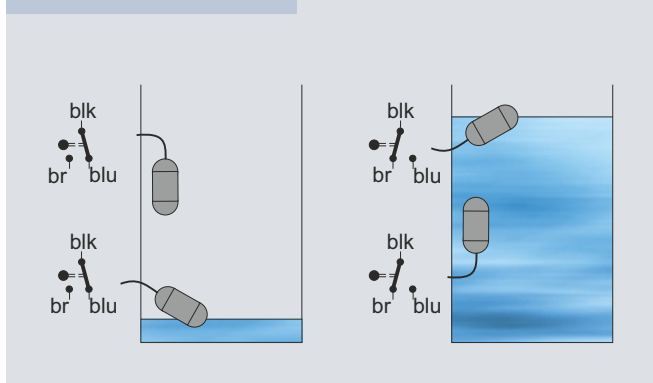
Sensor

Type	TA	Response delay	none
Enclosure material	ABS	Protection	IP 68
Cable material	Butyl rubber, high-flexible, 3 x 0.75 ²	Weight	345 g
Cable length	5 m, 10 m, 20m and 30 m	Ballast weight	300 g (the float switch standard supply always includes a ballast weight)
Installation positions	any	Switching angle	65°
Buoyancy	0.5	Ex approval (optional)	II 2 G Ex ib IIB T4, IBE _X U07ATEX1141
Temperature range	-5 °C to +60 °C		
Change-over contact	switching capacity: 4 A/250 V AC or 2 A/125 V DC (resistive load) switching current: 24 V to 250 V AC or 12 V to 125 V DC		

Level control using a switch inserted from top plus ballast weight



Level control using 2 laterally installed switches



You can find more information in the instruction manuals or under www.nivus.com

Instrumentation For Water Industry

NIVUS GmbH • Im Taele 2 • 75031 Eppingen, Germany • Internet: www.nivus.com
Phone: +49 (0)7262/9191-0 • Fax: +49 (0)7262/9191-999 • E-Mail: info@nivus.com

