

- Graphic display 128 x 64 pixels
- Comfortable operation via membrane keypad
- 19" plug-in unit, wall mount and panel mount enclosure
- Two-channel version, 2 transmitters in one unit
- Pump management
- Volume calculation
- Trend and comparative measurement, linearisation, basin purification control

19" Plug-in unit

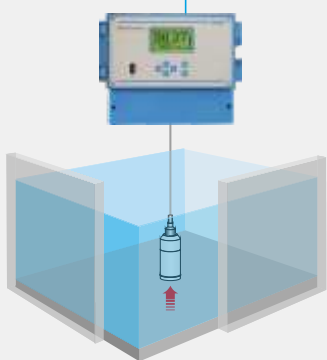
Field mount enclosure

NivuCont Plus



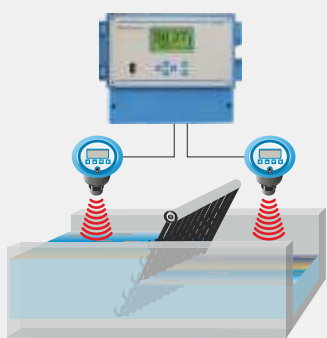
## NivuCont Plus

The NivuCont Plus is a multifunctional process measurement transmitter which supplies two-wire and three-wire sensors and records the respective readings.



Due to steadily increasing requirements on automation and surveillance systems a variety of measurement values are needed. These are delivered by various sensors.

The unit can be programmed comfortably via 6 keys in dialog with the 128 x 64 pixel graphic display. Various program parameter lists can be read out and in via PC interface.



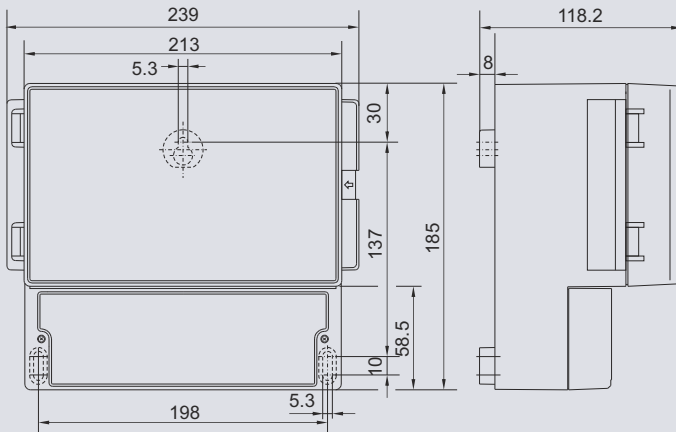
NivuCont Plus powers two and three wire sensors and accepts their input. The intrinsically safe sensor power supply for use in Ex zone 0 areas is optionally available. Current input (Live-Zero) monitoring including error messages is carried out.

Furthermore it is possible to create linkages as well as control and calculating operations between input and output signals regarding level, difference, average value, total value and linearisation, calculation of exponential functions and volumes is possible. Various switching functions including pump control enable universal use.

Specifications are subject to change. H:\NivuCont\_Plus\ncp-db-en.cdr / Rev. 03 - 28.03.2013

# Specifications

## Field mount enclosure

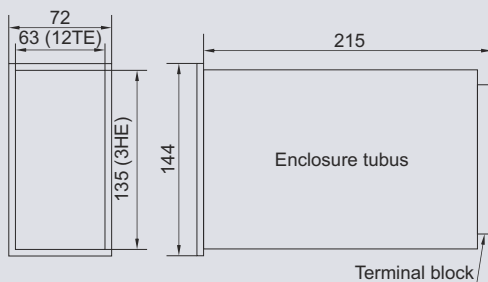


Please observe to have sufficient space (min. 30 mm) on the left-hand side of the transmitter to open the transparent door.

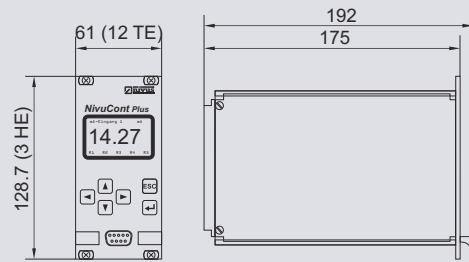
Enclosure also suitable for DIN-rail mounting.

There are six knock-out cable entry glands on transmitter underside (1 x M16, 5 x M20).

## Panel mount enclosure



## 19" Plug-in unit



Dimensions in mm

## Transmitter

Power supply	<ul style="list-style-type: none"> <li>85 to 264 V AC, 50 to 60 Hz or</li> <li>18 - 36 V DC</li> </ul>
Power consumption	max. 10 VA
Enclosure	<ul style="list-style-type: none"> <li>material: Polycarbonate</li> <li>weight, protection:</li> <li>field mount: approx. 1620 g, IP65</li> <li>panel mount: approx. 1770 g, IP30</li> <li>19" plug-in unit: approx. 750 g, IP20</li> </ul>
Approval (optional)	II (1) GD [Ex ia] IIC
Operating temperature	-20 °C to +60 °C Ex: -20 °C to +40 °C
Storage temperature	-30 °C to +70 °C
Relative humidity	90 %, non-condensing
Display	LCD back-lit graphic display, 128 x 64 pixels
Operation	6 membrane keys, dialog mode in German, English and French

Inputs (optional)	<ul style="list-style-type: none"> <li>analog input 1 and 2</li> <li>power supply sensors: 24 V DC</li> <li>Ex: max. 63 mA</li> <li>non-Ex: max. 130 mA</li> </ul>
Analog output 1	<ul style="list-style-type: none"> <li>0/4-20 mA</li> <li>load max. 500 Ohm</li> <li>resolution 12 Bit</li> <li>galvanically isolated from analog inputs</li> </ul>
Analog output 2 (optional)	see analog output 1
Relays (optional)	<ul style="list-style-type: none"> <li>5 relays free programmable</li> <li>function: SPDT (single pole double throw)</li> <li>switching voltage: min. 100 mV, max. 250 V AC</li> <li>contact current: max. 2 A (cos φ 0.9)</li> <li>contact rating: max. 300 VA</li> </ul>
Measurement uncertainty	<ul style="list-style-type: none"> <li>linearity: ±0.1 % of final value</li> <li>temperature drift: ±0.05 % per 10 K ambient temperature</li> </ul>

You can find more information in the instruction manual or on [www.nivus.com](http://www.nivus.com)